

# eSchwank Ghost Series

## Sell Sheet

The eSchwank Ghost Series electric heater an invisible presence with visible warmth, nearly invisible design. Equipped with a durable carbon fiber heating element, this eco-friendly heater ensures efficient heating for both indoor and outdoor spaces.



### Carbon Fiber Heating Element

Offering a longer lifespan.

Improvement over quartz medium wavelength infrared.

### Eco-Friendly

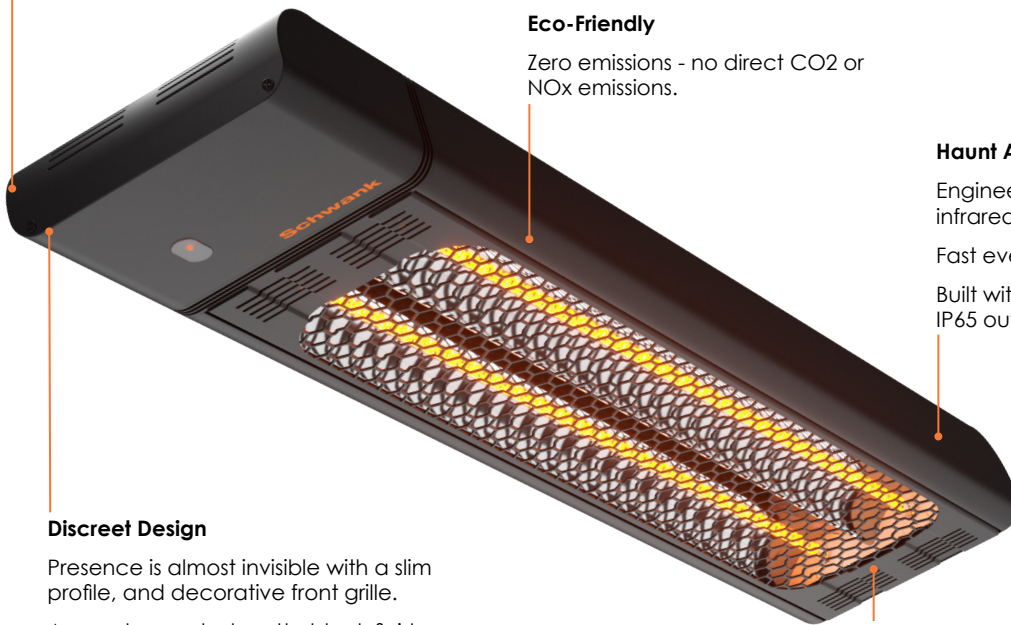
Zero emissions - no direct CO<sub>2</sub> or NO<sub>x</sub> emissions.

### Haunt Away the Cold

Engineered with medium wavelength infrared.

Fast even heating and rapid ramp-up.

Built with marine-grade aluminum and IP65 outdoor rated.



### Discreet Design

Presence is almost invisible with a slim profile, and decorative front grille.

A powder-coated matte black finish.

Architectural aesthetic that seamlessly blends form and function.

### Mounting with Adjustable Angles

Low ceiling clearance requirements of 6".

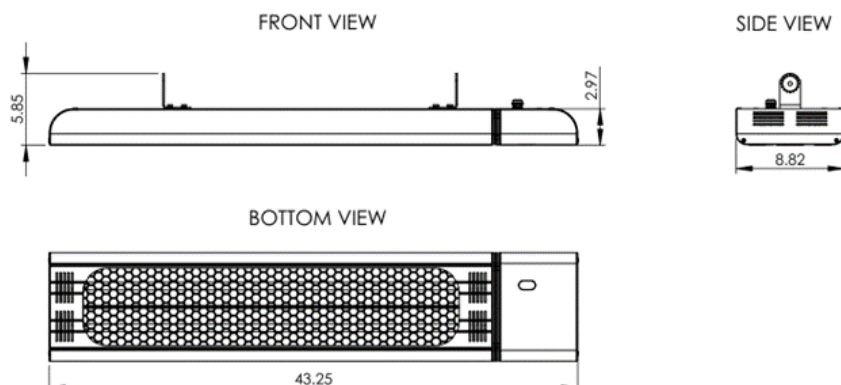
Flexible angle mounting options for ceiling and wall mount for optimal heat direction.

## → Features

- Fuel: Electric Infrared
- Bulb: Carbon Fiber Element, Medium Wave
- Voltage: 208V / 240V ~1P
- Wattage: 3000/4000W, 4500/6000W
- Lengths: 43.25"
- Mounting heights: 8'-14'
- Warranty: 2-year
- Standard remote control offering

## → Dimensions and specifications

With a wide range of sizes and mounting options available, choose the ideal eSchwank Ghost Series model to use in your patio, or indoor/outdoor environment.



Model	L/ in	W/ in	H/ in
ESM-4043-24	43.25	8.82	2.97
ESM-6043-24			

Model	IP Rating	Phase	Voltage/V	Wattage/W	Current/A	Net weight	Gross Weight
ESM-4043-24	IP65	1P	240	4,000	16.67	13.0 lbs/ 5.9 kg	19.4 lbs/ 8.8 kg
			208	3,000	14.42		
ESM-6043-24	IP65	1P	240	6,000	25	13.0 lbs/ 5.9 kg	19.4 lbs/ 8.8 kg
			208	4,500	21.63		

## → Controls and Accessories

Control Types	Part #	Description	Electrical Voltage	Amps
Remote Control (Replacement)	JE-0605-XX	---	---	---
On/ Off Control	JM-4410-XX	Single - Flush Mount c/w Weatherproof Cover	208/240V	20 Max
	JM-4415-XX	Dual - Flush Mount c/w Weatherproof Cover	208/240V	20 Max
Solid State Relay Panel	JM-4052-XX	2 Relay Control Panel	208/240V	---
Zone Analog Controller	JM-4046-XX	2 Zone Analog Controller w/ Digital Timer	208/240V	---
Home Management Relay	JM-4062-XX	2 Relay Home Management Control Panel	208/240V	---

Note: For full listing of available accessories and controls, visit our website [www.schwankgroup.com](http://www.schwankgroup.com)