

Submittal Data

eSchwank Ghost Series

Electric Medium Wave Infrared Indoor/Outdoor Heater

Project

Schwank models #

Voltage

Date submitted

Features

Approvals / Certificates

cETLus Certification.

Heating Elements

Fast response medium wave carbon fiber bulbs.

Heater Materials

Casing: marine grade aluminum alloy, with black powder coating.

Front grille: Stainless Steel 304

Standard color: Powder-coated black.

Warranty

2-year warranty on components and parts.

Power Supply

240V/ 1PH or 208V / 1PH

Wiring Components UL/CUL/CE listed for outdoor use with IPX4 minimum rating.

Mounting

Standard wall/ceiling mounting bracket included.

Indoor/Outdoor.

Electrical connections

Conduit fitting included.

Copper wire suitable for 90°C (194°F) must be used.

Controls

- Standard Remote Control included.
- Schwank.ONE
- Relay Panel with zone analog intensity controller and digital timer.
- On/off control with optional weatherproof box.
- Electro-mechanical Relay Package with 24V thermostatic control.



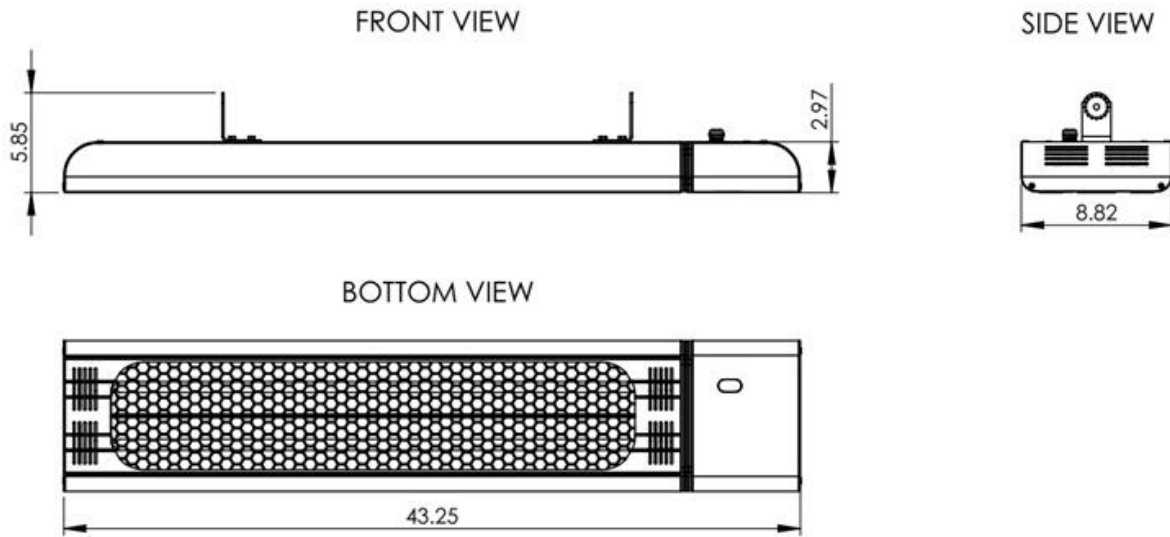
Read the
I&O Manual

Performance

| Tag | Qty | Model Number | Length (in) | Length (cm) | Watts (BTU/h) | Mounting height | Volts (Phase) | Amps | Ship. Wt. (lbs) |
|-----|-----|--------------|-------------|-------------|---------------|-----------------|---------------|------|-----------------|
| | | ESM-4043-24 | 43.25 | 110 | 4000 (13648) | 8' to 12' | 240 (1PH) | 16.7 | 13.0 |
| | | ESM-4043-24 | 43.25 | 110 | 3000 (10236) | 8' to 12' | 208 (1PH) | 14.4 | 13.0 |
| | | ESM-6043-24 | 43.25 | 110 | 6000 (20473) | 9' to 14' | 240 (1PH) | 25.0 | 13.0 |
| | | ESM-6043-24 | 43.25 | 110 | 4500 (15354) | 9' to 14' | 208 (1PH) | 21.6 | 13.0 |

Note: Heaters are rated for 2 voltages. When connected with 208VC circuits, heater output will be reduced by 25%, compared with the output connected with 240V.

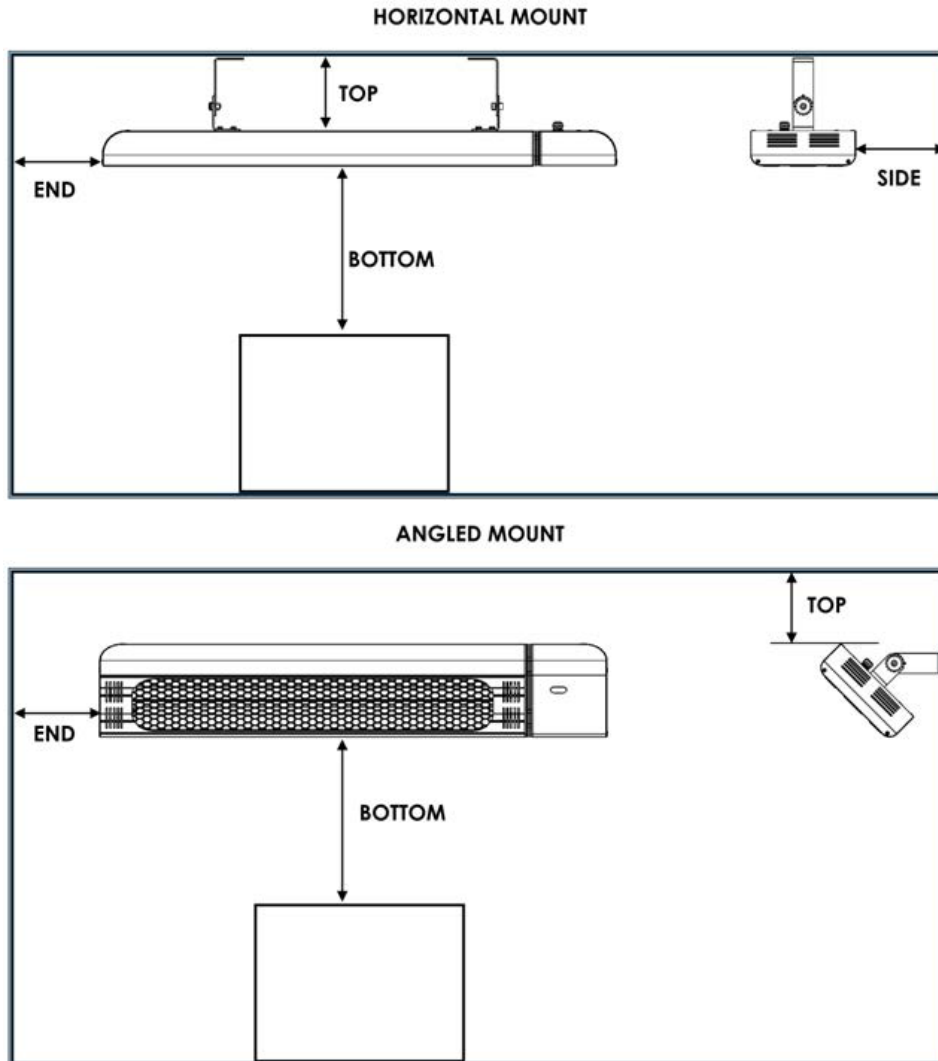
Dimensions



| Tag | Qty | Model | Length | Width | Height |
|-----|-----|-------------|--------|-------|--------|
| | | ESM-4043-24 | 43.25" | 8.82" | 2.97" |
| | | ESM-6043-24 | | | |

Clearance to Combustibles:

The clearance to combustible material represents the minimum distance that must be maintained between the heater and a nearby combustible surface. The stated clearance to combustibles represents a surface temperature of 90°F (50°C) above room temperature. Some materials, such as awnings or plastic, may require higher clearances. It is the installer's responsibility to ensure that building materials with a low heat tolerance, which may degrade at lower temperatures, are protected to prevent degradation.



| Tag | Qty | Model | Mounting | Top | Bottom | End | Side |
|-----|-----|-------------|------------|---------|----------|---------|-------------|
| | | ESM-4043-24 | Horizontal | 6" | 48" | 24" | 24" (61 cm) |
| | | | Angle | (15 cm) | (122 cm) | (61 cm) | N/A |
| | | ESM-6043-24 | Horizontal | 6" | 48" | 24" | 24" (61 cm) |
| | | | Angle | (15 cm) | (122 cm) | (61 cm) | N/A |

Controls

| Tag | Qty | Item Number | Description |
|-----|-----|-------------|----------------------------------------------------|
| | | JE-0605-XX | Remote control, ESM-XX43 Heater (Replacement part) |

ON/OFF Controls

| Tag | Qty | Item Number | Description |
|-----|-----|-------------|--------------------------------------------------------------|
| | | JM-4400-XX | Single - Flush Mount c/w S/S Wall Plate and Deep Gang Box |
| | | JM-4405-XX | Dual - Flush Mount c/w S/S Wall Plate and Deep Gang Box |
| | | JM-4410-XX | Single - Flush Mount c/w Weatherproof Cover |
| | | JM-4415-XX | Dual - Flush Mount c/w Weatherproof Cover |
| | | JM-4420-XX | Single - Surface Mount c/w Weatherproof Gang Box and Cover |
| | | JM-4425-XX | Dual - Surface Mount c/w Weatherproof Gang Box and Cover |
| | | JM-4300-XX | Single Duplex - Flush Mount c/w S/S Wall Plate and Gang Box |
| | | JM-4305-XX | Dual Duplex - Flush Mount c/w S/S Wall Plate and Deep Box |
| | | JM-4310-XX | Single Duplex - Flush Mount c/w Weatherproof Cover |
| | | JM-4315-XX | Dual Duplex - Flush Mount c/w Weatherproof Cover |
| | | JM-4320-XX | Single Duplex - Surface Mount c/w Weatherproof Box and Cover |
| | | JM-4325-XX | Dual Duplex - Surface Mount c/w Weatherproof Box and Cover |

Notes: ON/OFF Controls work with ESM-4043-24 ONLY.

Solid State Relay Panel

| Tag | Qty | Item Number | Description |
|-----|-----|-------------|------------------------------------------------------------|
| | | JM-4051-XX | Single - Flush Mount c/w S/S Wall Plate and Deep Gang Box |
| | | JM-4052-XX | Dual - Flush Mount c/w S/S Wall Plate and Deep Gang Box |
| | | JM-4053-XX | Single - Flush Mount c/w Weatherproof Cover |
| | | JM-4054-XX | Dual - Flush Mount c/w Weatherproof Cover |
| | | JM-4055-XX | Single - Surface Mount c/w Weatherproof Gang Box and Cover |
| | | JM-4056-XX | Dual - Surface Mount c/w Weatherproof Gang Box and Cover |

Zone Analog Controller

| Tag | Qty | Item Number | Description | Exterior Dimensions | Face Plate Dimensions |
|-----|-----|-------------|---------------------------------------------|------------------------------|-----------------------|
| | | JM-4045-XX | 1 Zone Analog Controller with Digital Timer | (4-1/2" x 6-3/4" x 2-1/2") | (5-1/2" x 7-3/4") |
| | | JM-4046-XX | 2 Zone Analog Controller with Digital Timer | (4-1/2" x 12-1/4" x 2-1/2") | (5-1/2" x 13-3/16") |
| | | JM-4047-XX | 3 Zone Analog Controller with Digital Timer | (4-1/2" x 14-3/16" x 2-1/2") | (5-1/2" x 15") |
| | | JM-4048-XX | 4 Zone Analog Controller with Digital Timer | (4-1/2" x 17-3/4" x 2-1/2") | (5-1/2" x 18-3/4") |

Home management Relay Panel

| Tag | Qty | Item Number | Description | Dimensions |
|-----|-----|-------------|---------------------------------------|----------------|
| | | JM-4061-XX | 1 Relay Home Management Control Panel | 20" X 17" X 7" |
| | | JM-4062-XX | 2 Relay Home Management Control Panel | 20" X 17" X 7" |
| | | JM-4063-XX | 3 Relay Home Management Control Panel | 20" X 17" X 7" |
| | | JM-4064-XX | 4 Relay Home Management Control Panel | 20" X 17" X 7" |
| | | JM-4065-XX | 5 Relay Home Management Control Panel | 24" X 21" X 7" |
| | | JM-4066-XX | 6 Relay Home Management Control Panel | 24" X 21" X 7" |

Additional Items

| Tag | Qty | Part # | Description |
|-----|-----|--------|-------------|
| | | | |
| | | | |
| | | | |
| | | | |
| | | | |
| | | | |
| | | | |