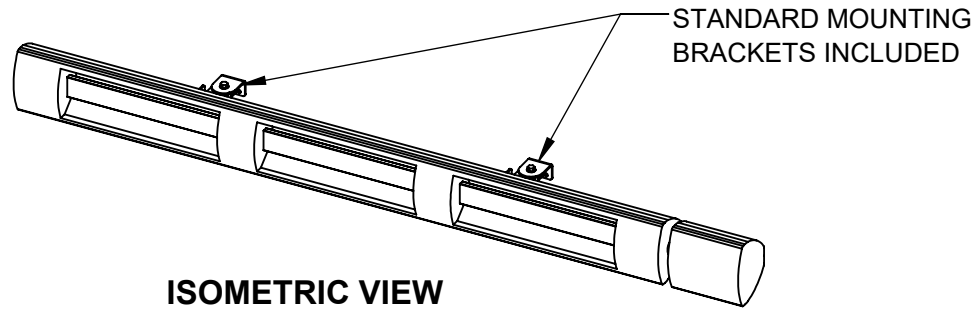
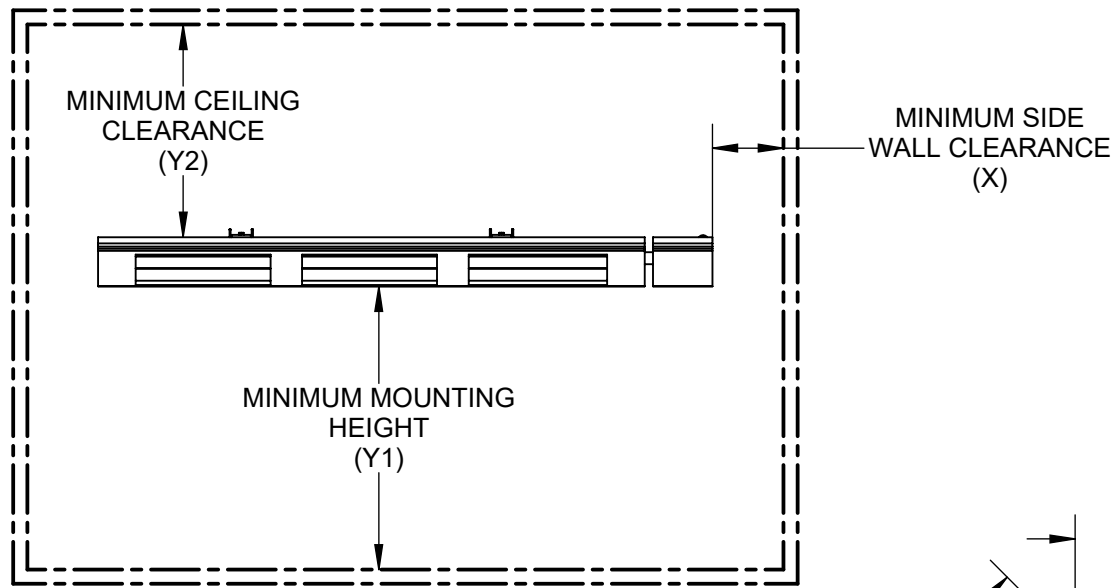


# HEATER CLEARANCE REQUIREMENTS

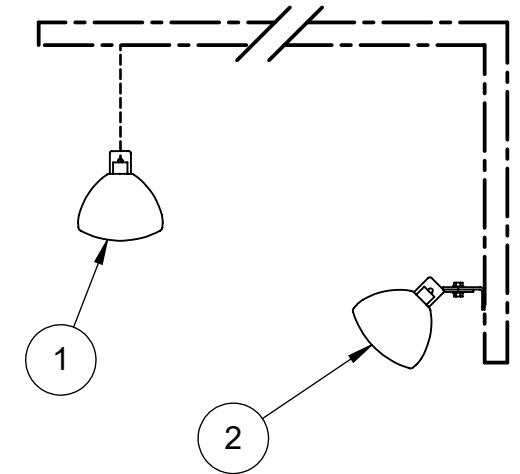
SEE 'HEATER SPECIFICATIONS' TABLE



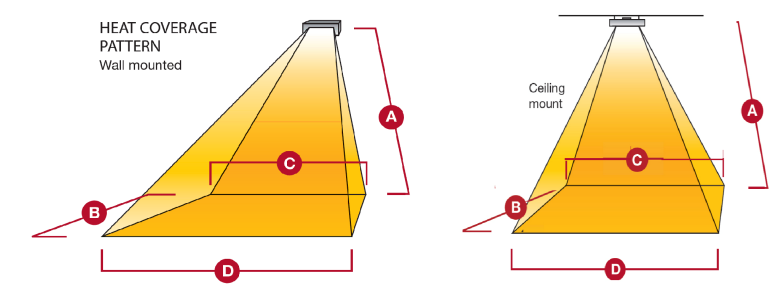
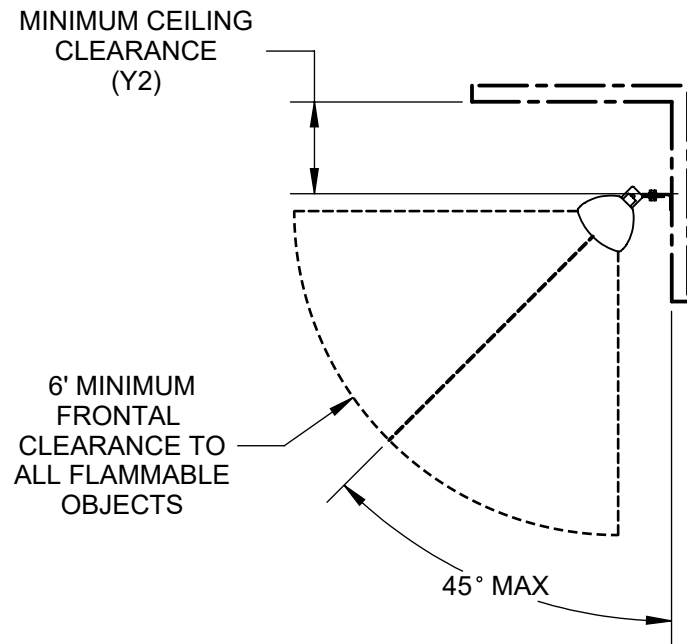
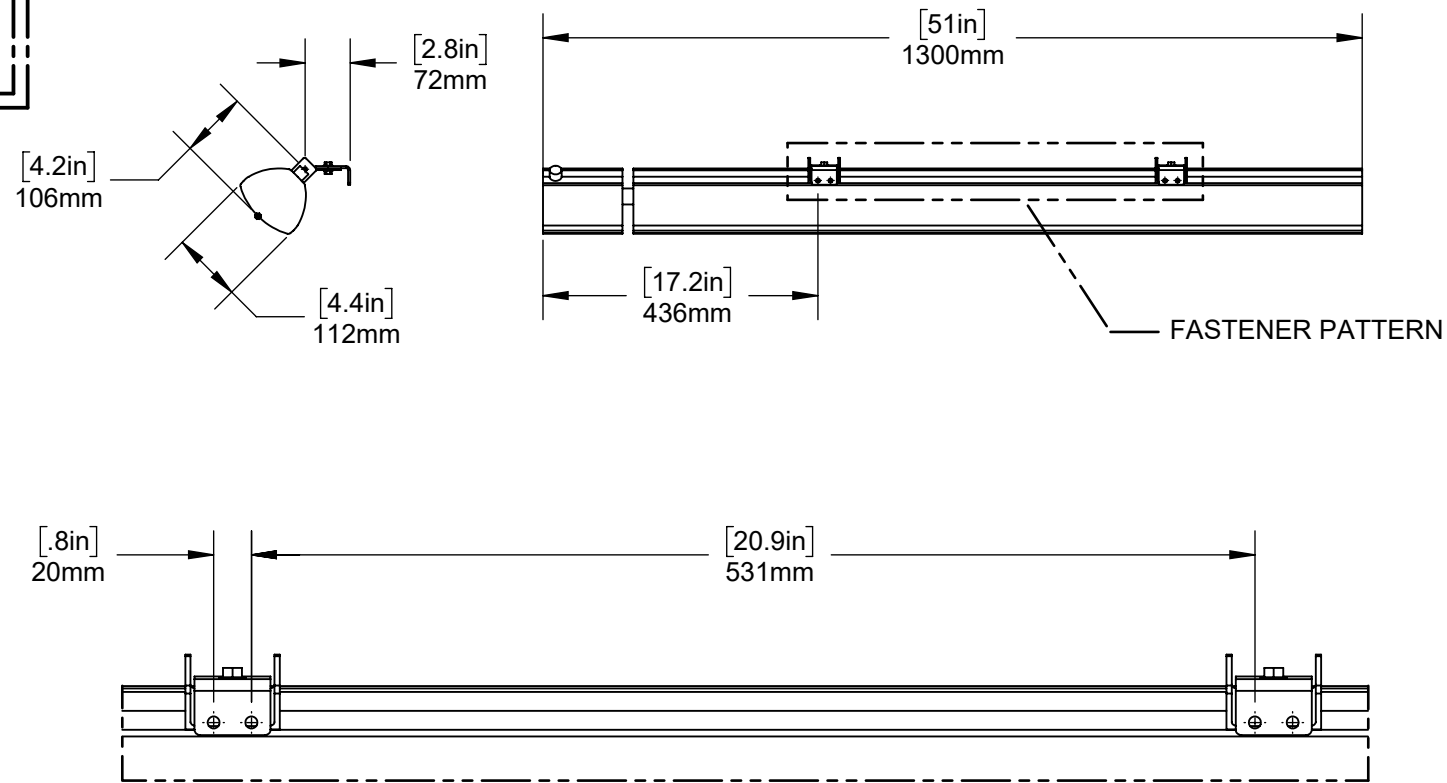
ISOMETRIC VIEW

# SUITABLE MOUNTING CONFIGURATIONS

1. CEILING SUSPENDED
2. WALL MOUNTED



# OVERALL SIZE AND MOUNTING DIMENSIONS



MODEL	A (FEET)	B (FEET)	C (FEET)	D (FEET)	HEAT ZONE* (SQUARE FEET)	HEAT DENSITY* (WATTS/ SQUARE FEET)
Z3-24240	6.6	6	9	12	63	39

HEAT DENSITY IS REDUCED BY 25% WHEN DE-RATED TO 208V

**⚠ LONG WAVE INFRARED HEATERS FOR:**  
**INDOOR USE - COMMERCIAL AND INDUSTRIAL ONLY**  
**OUTDOOR USE - RESIDENTIAL, COMMERCIAL AND INDUSTRIAL**  
**FOR USE IN NON-HAZARDOUS AREAS ONLY**  
**IF USED OUTDOORS, HEATER MUST BE UNDER OVERHEAD COVER**

FASTENER PATTERN  
SCALE 1 : 4

# \*\*HEATER SPECIFICATIONS

DESCRIPTION	SKU	WEIGHT (LBS/KG)	240V							208V						
			POWER (WATTS)	HEAT DELIVERED (BTU)	VOLTAGE (VOLTS)	CURRENT (AMPS)	MINIMUM HEIGHT (INCH/cm) (Y1)	CEILING CLEARANCE (INCH/cm) (Y2)	SIDE WALL CLEARANCE (INCH/cm) (X)	POWER (WATTS)	HEAT DELIVERED (BTU)	VOLTAGE (VOLTS)	CURRENT (AMPS)	MINIMUM HEIGHT (INCH/cm) (Y1)	CEILING CLEARANCE (INCH/cm) (Y2)	SIDE WALL CLEARANCE (INCH/cm) (X)
ZIRO H3 - 2450W / 240V	Z3-24240	15.7/7.1	2450	8330	240	10.2	79/200	11.75/30	20/50	1800	6120	208	8.7	79/200	11.75/30	20/50

Certified to UL2021 and CSA 22.2

## Solaira<sup>®</sup>

The Architect and Engineers Choice

# MODEL SOLAIRA ZIRO H3

SHEET NO. 1 OF 1	SHEET SCALE 1:12	SHEET SIZE 11X17
------------------	------------------	------------------

SKU NOTES: \*SEE PRODUCT CATALOGUE FOR STANDARD COLOR OPTIONS. ALL HEATERS COME WITH STANDARD 2.8" L BRACKETS | \*\* SPECIFICATIONS SUBJECT TO CHANGE WITHOUT NOTICE

**NOTICE: THIS DOCUMENT IS NOT A SUBSTITUTE FOR APPROVED MANUAL.** Failure to follow instruction manual may cause fire, electric shock or injury to persons. Solaira™ is a registered trademark of Inforesight Consumer Products. Customer, contractor specifier and installer understands that some or all products provided by Inforesight Consumer Products Inc. may not be available for purchase or installation in certain jurisdictions or geographical areas. Inforesight Consumer Products Inc. reserves the right, in its sole discretion, to exclude or otherwise limit the provision of any product to a person or entity residing in any jurisdiction or geographical area outside of Canada. Inforesight Consumer Products Inc. provides general product installation guidelines and procedures and Customer, contractor, specifier and installer understands that Customer, contractor, specifier and installer is solely and exclusively responsible for installation of the product and ascertaining all applicable local municipal, provincial, state, and federal NEC (National Electrical Code) rules, by-law, ordinances and guidelines applicable to the installation of any Inforesight Consumer Products Inc. products. Customer contractor, specifier and installer must strictly adhere to and be compliant with the local rules, laws, ordinances and legal requirements for the safe installation and use of any Inforesight Consumer Products Inc. products. Instruction manuals are included with the product packaging and copies of our instruction manuals are available upon request. Under no circumstances shall Inforesight Consumer Products Inc. or its affiliated entities, employees, agents, shareholders, officers or directors be liable to Customer or any third party for any product installations and Customer, contractor, specifier and installer releases Inforesight Consumer Products Inc. from any and all losses, death, personal injury, property damage, other damages, rights, claims, demands and actions of any kind arising from the Customer's installation and use of the product, whether the installation was or was not in accord with the provided instruction manual and/or in compliance with applicable local laws. Solaira products are to be installed by licensed technicians per instruction manuals and to all provincial/state and national (N.E.C.) code requirements; specifications subject to change without notice.