

RADIUS™

ARCHITECTURAL RADIANT HEATER

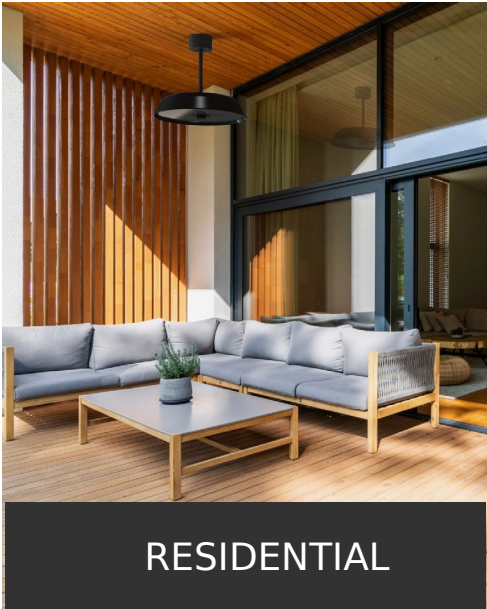


CERTIFIED TO CSA
STD 22.2 NO.46

CONFORMS TO UL
STD 2021



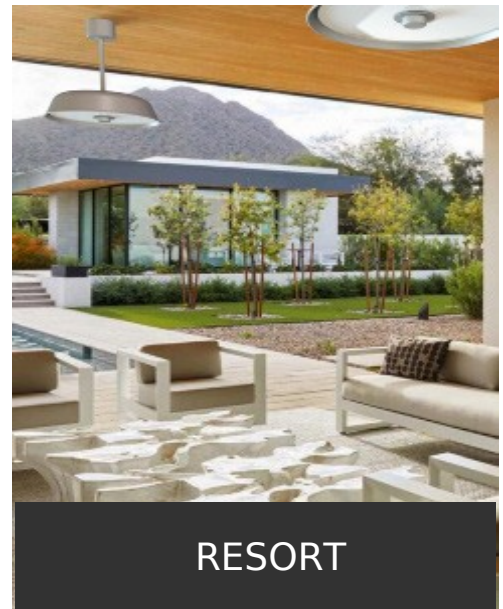
THE *ART*
OF HEAT



RESIDENTIAL



HOSPITALITY



RESORT

DRIVEN BY ENGINEERING, DESIGN AND PERFORMANCE.

LEARN MORE AT <https://www.gasoutdoorpatioheaters.com/>



Finish Colors



Black



White

Accessories

48" Suspension Pole
*POLE ONLY



Black



White

Key Features

POWER (WATTS)	4500W / 15,400 BTU 3000W / 10,200 BTU
CONSTRUCTION	Aluminum + Stainless Steel
GRILLE	High-Temperature Ceramic Glass
COATING	UV Resistant Polyester Powder coating, BLACK, WHITE
HEAT SOURCE	Solaira [®] Ultra Low-glare emitter
POWER SOURCE	208V, 240V

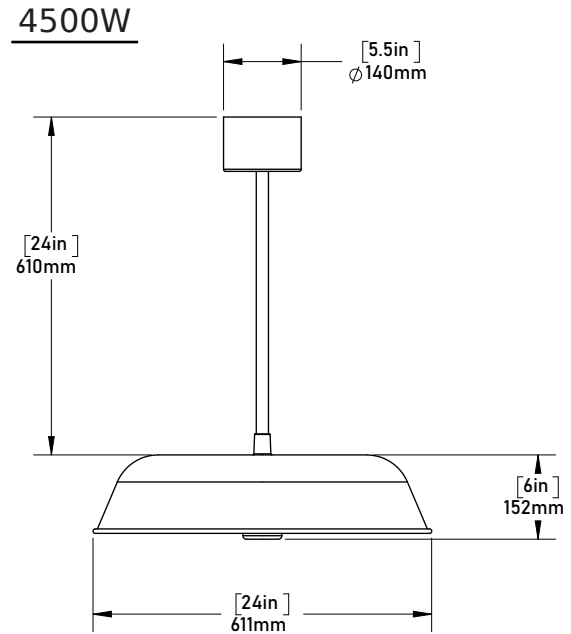
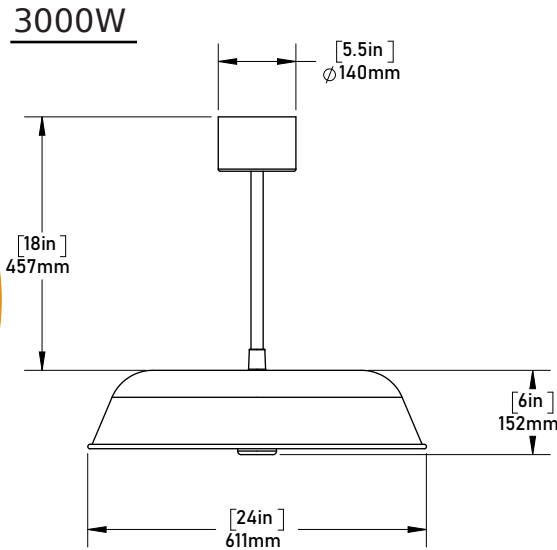
** WHITE HEATERS AVAILABLE BY SPECIAL ORDER ONLY
*** 277V HEATERS AVAILABLE BY SPECIAL ORDER ONLY.

Tech Specs

MODEL	POWER (WATTS)	BTUs	VOLTS	AMPS	WEIGHT
GRAD30208-B GRAD30208-W**	3000W	10,200	208	14.4A	32LBS / 14.5KG
GRAD30240-B GRAD30240-W**	3000W	10,200	240	12.5A	
GRAD30208-B GRAD30208-W**	4500W	15,350	208	21.6A	
GRAD30240-B GRAD30240-W**	4500W	15,350	240	18.8A	

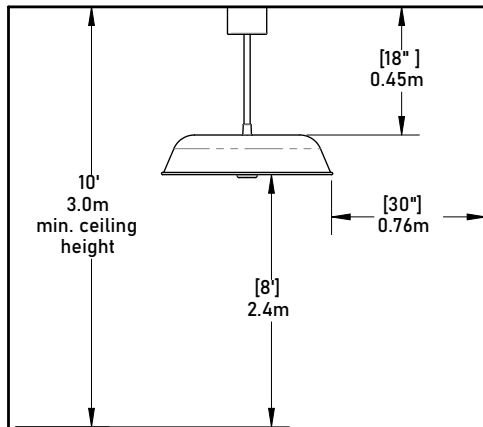
* -W INDICATES WHITE, -B INDICATES BLACK
** WHITE HEATERS AVAILABLE BY SPECIAL ORDER ONLY

Heater Dimensions

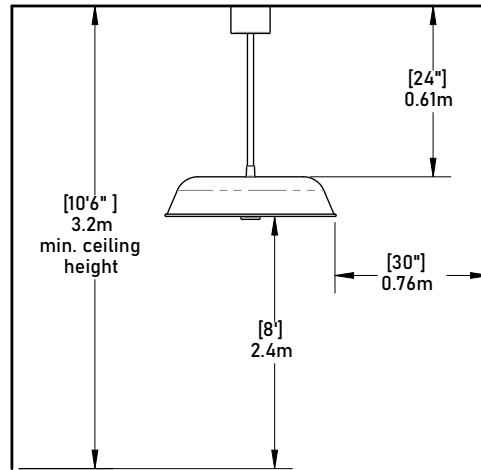


Heater Clearances

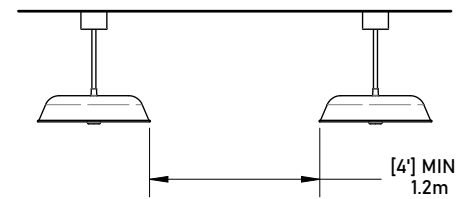
3000W CLEARANCES



4500W CLEARANCES

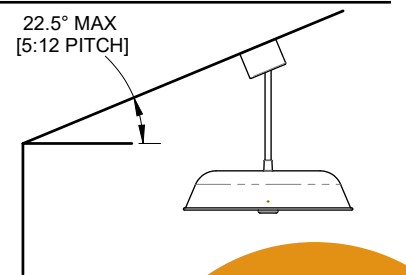


DISTANCES BETWEEN HEATERS



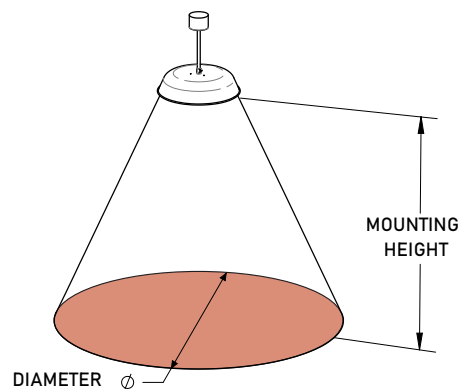
ANGLED CEILINGS

22.5° MAX
[5:12 PITCH]



Coverage Areas

MODEL	MOUNTING HEIGHT	DIAMETER	HEAT DENSITY WATTS/ SQUARE FEET
GRAD30208 GRAD30240	8' (2.4m)	8' (2.4m)	20 W/SF ²
GRAD45208 GRAD45240	8' (2.4m)	10' (3.1m)	20 W/SF
	10' (3.1m)	12' (4.3m)	15 W/SF



HEAT SPEC

Solaira's HEAT SPEC tool delivers elevated heater coverage visualizations, allowing you to see heating areas and estimate heat rises in your space before you purchase.

CONTACT YOUR SALES REP FOR A HEATSPEC LAYOUT TODAY